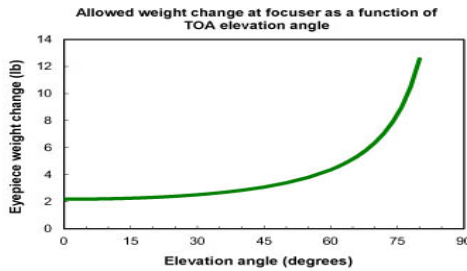
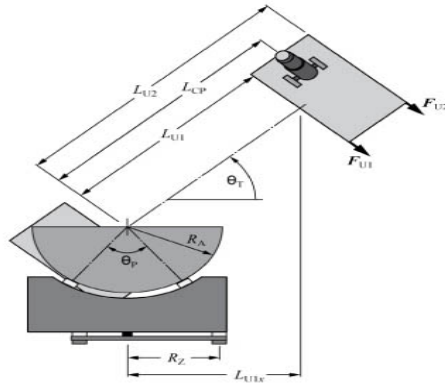


Engineering, Design and Construction of Portable Newtonian Telescopes

Altitude Control

Enter values into boxes outlined in blue. Calculated values appear in boxes outlined in green.
Struts omitted for clarity.

Weight of TOA (lb)	58.8
Angular spacing between support pads, θ_p (degrees)	65
Altitude bearing radius, R_A (in)	15.5
Width of pads and bearing surfaces (in)	1
Desired pressure on pads (psi)	10
Distance from pivot axis to bottom of UOA, L_{U1} (in)	53
Distance from pivot axis to top of UOA, L_{U2} (in)	61
Distance from pivot axis to focuser, L_{CP} (in)	57
Coefficient of static friction	0.115
Coefficient of kinetic friction	0.09
Normal force on each pad (lb)	17.4
Area of each pad (in ²)	1.74
Pad length (in)	1.74
Force at bottom of UOA to initiate rotation, F_{U1} (lb)	2.3
Force at bottom of UOA to maintain rotation, F'_{U1} (lb)	1.8
Force at top of UOA to initiate rotation, F_{U2} (lb)	2.0
Force at top of UOA to maintain rotation, F'_{U2} (lb)	1.6



Above figure assumes changes are made relative to a balanced TOA.

Engineering, Design and Construction of Portable Newtonian Telescopes [Albert Highe, Gary Seronik] on intekarredamenti.com *FREE* shipping on qualifying offers. Engineering, Design and Construction of Portable Newtonian Telescopes is a massive page book with illustrations and tables that tells you how to .Engineering, Design, and Construction of Portable Newtonian Telescopes. Front Cover. Albert Highe. Willmann-Bell, - Newtonian telescopes - pages. Engineering, design, and construction of portable newtonian telescopes by Albert Highe; 1 edition; First published in ; Subjects. Synopsis: This volume tells you how to design and build a portable Newtonian telescope that performs better, weighs less, and increases your enjoyment of its. Engineering, Design and Construction of Portable Newtonian Telescopes by Albert Highe and a great selection of similar Used, New and Collectible Books. Engineering, Design, and Construction of Portable Newtonian Telescopes by Albert Highe, , available at Book Depository with. 23 Nov - 36 sec - Uploaded by Frey H Engineering Design and Construction of Portable Newtonian Telescopes. Frey H. Loading. 7 Jan - 21 sec - Uploaded by Vince Engineering Design and Construction of Portable Newtonian Telescopes. Vince. Loading. Albert Highe is the author of Engineering, Design, and Construction of Portable Newtonian Telescopes (avg rating, 1 rating, 0 reviews, published have read "Portable Newtonian Telescopes": Is the book general enough Lots of the book is completely general - optics, focusers, cell design. . better luck with Kriege and Highe for construction details and engineering. Get this from a library! Engineering, design, and construction of portable Newtonian telescopes with Excel worksheets on mini-CD-ROM. [Albert Highe]. Engineering, Design, and Construction of Portable Newtonian Telescopes by Albert Highe starting at. Engineering, Design, and Construction of Portable. The first, Engineering, Design and Construction of Portable Newtonian Telescopes (Willmann-Bell) provided an overview of the engineering and materials. Telescope India, Largest online Astronomy Store, Galileo, Celestron, Meade, Orion. 26 Feb - 7 sec Read here intekarredamenti.com?book=[PDF] Engineering Design and. Engineering, Design, and Construction of Portable Newtonian Telescopes by Albert Highe in Books with free delivery over \$60 at Australia's. Engineering, Design, and Construction of Portable Newtonian Telescopes by Albert Highe. (Hardcover). Find great deals for Engineering Design and Construction of Portable Newtonian Telescopes Hardcover. Shop with confidence on eBay!. The new book Engineering, Design and Construction of Portable Newtonian Telescopes by Albert Highe (\$) is a massive page tome. Engineering, Design and Construction of Portable Newtonian Telescopes: intekarredamenti.com: Albert Highe: Books.

[\[PDF\] Works of Andrew Murray](#)

[\[PDF\] GaN-Based Laser Diodes: Towards Longer Wavelengths and Short Pulses \(Springer Theses\)](#)

[\[PDF\] Witch of Blackbird Pond](#)

[\[PDF\] Russian conversation-grammar](#)

[\[PDF\] Journalism and PR: Unpacking Spin, Stereotypes, and Media Myths](#)

[\[PDF\] Tai Chi Chaun in Theory and Practice](#)

[\[PDF\] Inside the Victorian Home: A Portrait of Life in Victorian England \[INSIDE THE VICTORIAN HOME\] \[Pa](#)